

GEO-TRAP FILTER™

CATCH BASIN FILTER INSERT

Spring 2004

Product

Specification

Revel Environmental Manufacturing, Inc.

THE GEO-TRAP FILTER™

- Non-reactive High Density Polystyrene (HDPE) construction with U.V. inhibitors.
- Round, Square, Rectangular and custom models.
- Filter Media Cartridges available for the removal of hydrocarbons, metals, sand, silt, and litter.
- Optional Antimicrobial Media Pak, which adds the prevention of bacterial growth and the protection against odor-causing water borne pathogens to our current media.
- Media is nonhazardous, per EPA and OSHA standards.
- EZ Lift handle on removable Filter Media Insert, allows for quick and easy servicing.
- Easy to install in new and existing catch basins.
- Patent Pending design
- Maintenance contracts, including recycling all spent absorbents are available.
- Servicing of filters on a regular basis is a requirement to meet most local and state BMP's.
- Meets Best Available Technology for use in Stormwater BMPs (Best Management Practices).
- Media Cartridges can be interchanged with TRITON series as site conditions change.



MODEL GT24SR

GEO-TRAP FILTER™ CATCH BASIN INSERT

REM has developed the GEO-TRAP FILTER™ Catch Basin Insert to help eliminate hydrocarbons and other contaminants such as metals, sand, silt and litter from stormwater runoff.

The GEO-TRAP FILTER™ is designed to be inserted in a catch basin, below the grate of storm drain inlets.

Patent Pending

REM - HELPING KEEP OUR WATERWAYS CLEAN

The most recent National Water Quality Inventory reports that runoff from urban areas is the leading source of impairments to surveyed estuaries and the third largest source of water quality impairments to surveyed lakes. In addition, population and development trends indicate that by 2010 more than half of the Nation will live in coastal towns and cities. Runoff from these rapidly growing urban areas will continue to degrade coastal waters.¹

¹Environmental Protection Agency's Office of Water EPA841-F-96-004G



Revel Environmental Manufacturing Inc.

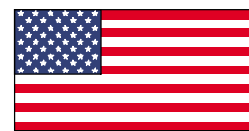
sales@remfilters.com (888) 526-4736 www.remfilters.com

Northern California
960-B Detroit Avenue
Concord, California 94518
P: (925) 676-4736
F: (925) 676-8676

Southern California
215 E. Orangethorpe Ave., #282
Fullerton, California 92832
P: (714) 720-4604
F: (714) 523-4143

Servicing filters on a regular basis is a requirement to meet most local and state BMP's.

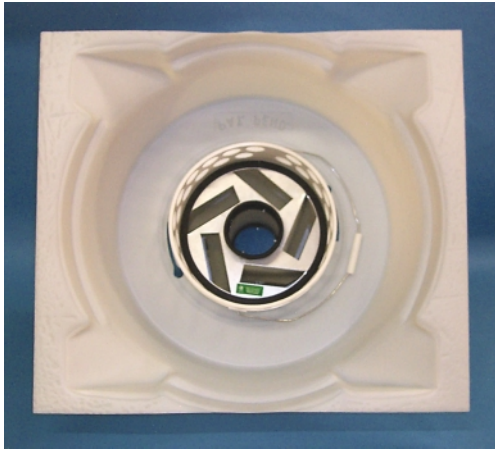
MADE IN THE



USA

GEO-TRAP FILTER™

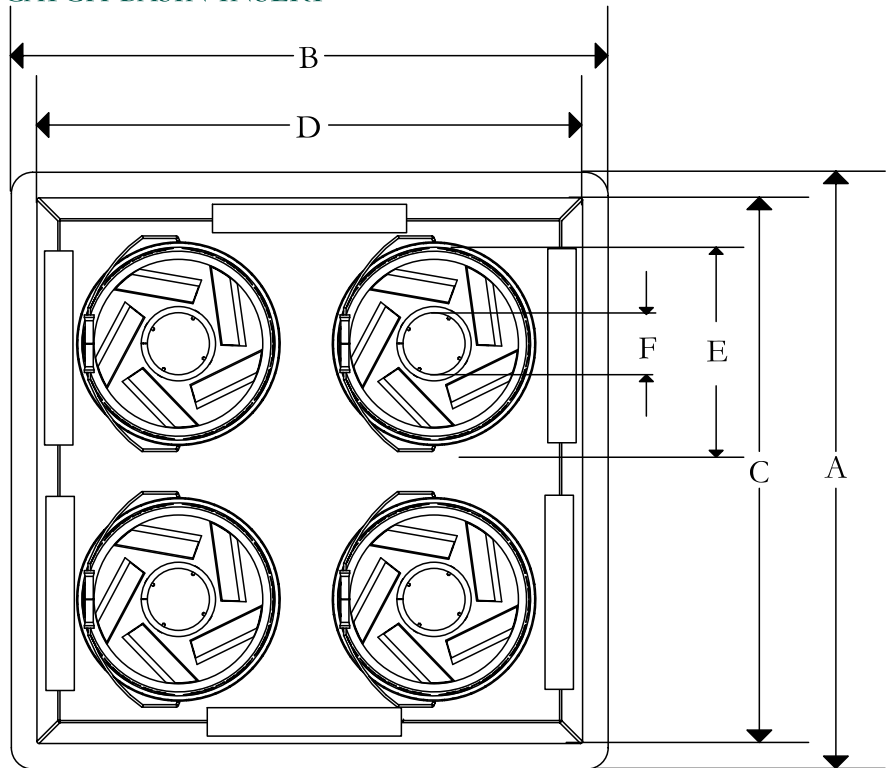
CATCH BASIN INSERT



MODEL GT24SR



Hydrocarbon Silt/Sand Litter
Filter Media Cartridges



STANDARD DIMENSIONS

	A	B	C	D	E	F	G	Inserts
GT1616	17	17	13.5	13.5	12	4	17	1
GT1818	19	19	17	17	12	4	17	1
GT1824	18.5	24	17	17	12	4	17	1
GT18RD	18		17.5		12	4	17	1
GT2024	19.5	23.5	17.5	21.5	12	4	17	1
GT24SR	23.25	26.50	21	21	12	4	19	1
GT2436	27	38	17	30	12	4	19	2
GT2448	23.25	52	21	46	12	4	19	4
GT24RD	24.5		21		12	4	19	1
GT3030	33	29	27	27	12	4	19	2
GT3636	40	40	34	34	12	4	19	4
GT36RD	38		34		12	4	22	3
GT4848	52	52	46	46	12	4	19	6

Notes:

1. All dimensions are in inches.
2. **Dimension (G) is filter depth.**
3. Low profile filters are also available for shallow catch basins.
4. Units are constructed from High Density Polyethylene plastic with U.V. inhibitors.
5. Media Cartridges can be interchanged with TRITON series as site conditions change.
6. Custom sizes are available to fit most applications. Please call a distributor near you for details.
7. Patent Pending.
8. Optional Antimicrobial Media Pak, which adds the prevention of bacterial growth and the protection against odor-causing water borne pathogens to our current media.

Distributed By:



Revel Environmental Manufacturing Inc.

sales@remfilters.com (888) 526-4736 www.remfilters.com

Northern California
960-B Detroit Avenue
Concord, California 94518
P: (925) 676-4736
F: (925) 676-8676

Southern California
215 E. Orangethorpe Ave., #282
Fullerton, California 92832
P: (714) 720-4604
F: (714) 525-4143